

Bidi 10 Gbps SFP Transceiver (UBSFPP-40)

1270/1330nm Single mode 40km Single fiber LC

Features

- Up to 11.3Gb/s bit rates
- 1270nm/1330nm wavelength laser
- Hot-Pluggable
- Single fiber LC receptacle
- Up to 40km on 9/125µm SMF
- Monitoring Interface Compliant with SFF-8472
- Compliant to IEEE 802.3ae & SFP MSA
- Manufactured in an ISO 9001 compliant facility
- Operating temperature range: 0°C to 70°C
- Power supply +3.3v
- Power dissipation <1.5W
- ROHS-6 Compliant



Applications

- 10G Ethernet Switch and Enterprise Router
- 10G SONET OC-192 / SDH and Fibre Channel
- Other Optical Links

Part numbers

| P/N | Data Rate | Wavelength | Connector | Distance |
|-------------|-----------|------------|-----------|----------|
| UBSFPP-40-U | 10Gbps | 1270nm | LC | 40km |
| UBSFPP-40-D | 10Gbps | 1330nm | LC | 40km |

Absolute Maximum Ratings

| Parameter | Symbol | Min. | Typical | Max. | Unit |
|---------------------|----------------------|------|---------|------|------|
| Storage Temperature | T _s | -40 | | +85 | °C |
| Supply Voltage | V _{CC} T, R | -0.5 | | 4 | V |
| Relative Humidity | RH | 5 | | 95 | % |

Recommended Operating Environment:

| Parameter | Symbol | Min. | Typical | Max. | Unit |
|----------------------------|--------------|-------|---------|-------|------|
| Case operating Temperature | T_C | 0 | | +70 | °C |
| Supply Voltage | $V_{CCT, R}$ | +3.15 | | +3.45 | V |
| Power Dissipation | P_D | | | 1.5 | W |

Electrical Characteristics

| Parameter | Symbol | Min | Typ | Max | Unit | Note |
|-----------------------------------|-----------|----------|------|-----|----------|------|
| Transmitter: | | | | | | |
| Differential input voltage swing | | 180 | | 700 | mVpp | |
| Tx Disable | Disable | 2.0 | | Vcc | V | |
| | Enable | -0.3 | | 0.8 | V | |
| Tx Fault | Assert | 2.4 | | Vcc | V | |
| | De-assert | -0.3 | | 0.8 | V | |
| Input Differential Impedance | Z_{in} | 90 | 100 | 110 | Ω | |
| Receiver | | | | | | |
| Differential output voltage swing | | 300 | | 850 | mVpp | |
| LOS Output | Assert | V_{OH} | 2.0 | Vcc | V | |
| | De-assert | V_{OL} | -0.3 | 0.4 | V | |
| Output Differential Impedance | Z_{on} | 80 | 100 | 120 | Ω | |

Optical Parameters

| Parameter | Symbol | Min | Typ | Max | Unit | Ref. |
|-----------------------------|-----------------|-----------|------|------|------|------|
| Transmitter | | | | | | |
| Bit Rate | BR | 9.9 | | 11.3 | Gb/s | |
| Optical Wavelength | UBSFPP-40-UI | λ | 1260 | 1270 | 1280 | nm |
| | UBSFPP-40-DI | | 1320 | 1330 | 1340 | |
| Average output power | P_o | 0 | | +5 | dBm | |
| Optical Extinction Ratio | ER | 3.5 | | | dB | |
| Spectral width | $\Delta\lambda$ | | | 1 | nm | |
| Side Mode Suppression Ratio | SMSR | 35 | | | dB | |
| Receiver | | | | | | |
| Bit Rate | BR | 9.9 | | 11.3 | Gb/s | |
| Optical Wavelength | UBSFPP-40-U | λ | 1320 | 1330 | 1340 | nm |
| | UBSFPP-40-D | | 1260 | 1270 | 1280 | |
| Receiver Sensitivity | Sen | | | -15 | dBm | 1 |

Bidi 10 Gbps SFP Transceiver (UBSFPP-40)

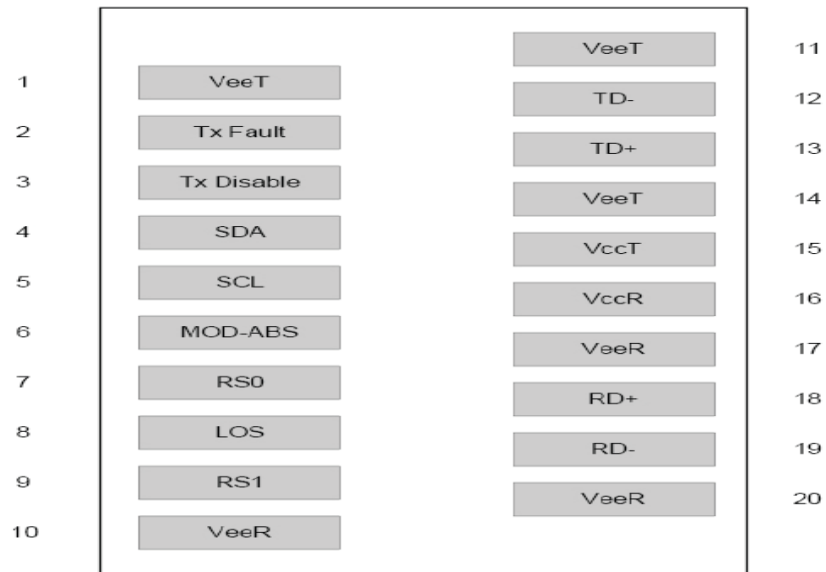
1270/1330nm Single mode 40km Single fiber LC

| | | | | | | |
|---------------------|------------------|-----|--|-----|-----|--|
| Maximum Input Power | P _{MAX} | -3 | | | dBm | |
| LOS De-Assert | LOS _D | | | -16 | dBm | |
| LOS Assert | LOS _A | -25 | | | dBm | |
| LOS Hysteresis | LOS _H | 0.5 | | 4 | dB | |

Notes:

Note 1) Measured with a PRBS of 2³¹-1 at 1 x 10⁻¹² BER and 3.5 dB extinction ratio.

Pin Assignment



Pin Function Definitions

| PIN # | Name | Function | Notes |
|-------|------------|---|-------|
| 1 | VeeT | Module transmitter ground | 1 |
| 2 | Tx Fault | Module transmitter fault | 2 |
| 3 | Tx Disable | Transmitter Disable; Turns off transmitter laser output | 3 |
| 4 | SDL | 2 wire serial interface data input/output (SDA) | |
| 5 | SCL | 2 wire serial interface clock input (SCL) | |
| 6 | MOD-ABS | Module Absent, connect to VeeR or VeeT in the module | 2 |
| 7 | RS0 | Rate select0, optionally control SFP+ receiver. When high, input data rate >4.5Gb/s; when low, input data rate <=4.5Gb/s | |
| 8 | LOS | Receiver Loss of Signal Indication | 4 |
| 9 | RS1 | Rate select0, optionally control SFP+ transmitter. When high, input data rate >4.5Gb/s; when low, input data rate <=4.5Gb/s | |
| 10 | VeeR | Module receiver ground | 1 |
| 11 | VeeR | Module receiver ground | 1 |

| | | | |
|----|------|---------------------------------------|---|
| 12 | RD- | Receiver inverted data out put | |
| 13 | RD+ | Receiver non-inverted data out put | |
| 14 | VeeR | Module receiver ground | 1 |
| 15 | VccR | Module receiver 3.3V supply | |
| 16 | VccT | Module transmitter 3.3V supply | |
| 17 | VeeT | Module transmitter ground | 1 |
| 18 | TD+ | Transmitter inverted data out put | |
| 19 | TD- | Transmitter non-inverted data out put | |
| 20 | VeeT | Module transmitter ground | 1 |

Note 1) The module ground pins shall be isolated from the module case.

Note 2) This pin is an open collector/drain output pin and shall be pulled up with 4.7K-10Kohms to Host_Vcc on the host board.

Note 3) This pin shall be pulled up with 4.7K-10Kohms to VccT in the module.

Note 4) This pin is an open collector/drain output pin and shall be pulled up with 4.7K-10Kohms to Host_Vcc on the host board.

SFP Module EEPROM Information and Management

The SFP modules implement the 2-wire serial communication protocol as defined in the SFP -8472. The serial ID information of the SFP modules and Digital Diagnostic Monitor parameters can be accessed through the I²C interface at address A0h and A2h. The memory is mapped in Table 1. Detailed ID information (A0h) is listed in Table 2. And the DDM specification at address A2h. For more details of the memory map and byte definitions, please refer to the SFF-8472, “Digital Diagnostic Monitoring Interface for Optical Transceivers”. The DDM parameters have been internally calibrated.

Table 1. Digital Diagnostic Memory Map (Specific Data Field Descriptions)

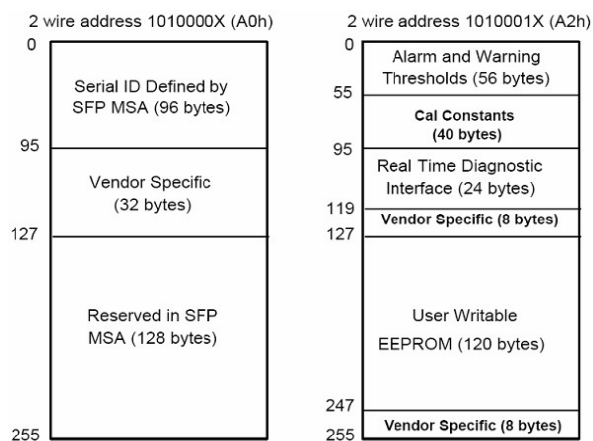


Table 2 - EEPROM Serial ID Memory Contents (A0h)

| Data Address | Length (Byte) | Name of Length | Description and Contents |
|----------------|---------------|----------------|--|
| Base ID Fields | | | |
| 0 | 1 | Identifier | Type of Serial transceiver (03h=SFP) |
| 1 | 1 | Reserved | Extended identifier of type serial transceiver (04h) |

Bidi 10 Gbps SFP Transceiver (UBSFPP-40)
 1270/1330nm Single mode 40km Single fiber LC



| | | | |
|----------------------------------|-----|----------------|---|
| 2 | 1 | Connector | Code of optical connector type (07=LC) |
| 3-10 | 8 | Transceiver | 10G Base-LR |
| 11 | 1 | Encoding | 64B/66B |
| 12 | 1 | BR, Nominal | Nominal baud rate, unit of 100Mbps |
| 13-14 | 2 | Reserved | (0000h) |
| 15 | 1 | Length(9um) | Link length supported for 9/125um fiber, units of 100m |
| 16 | 1 | Length(50um) | Link length supported for 50/125um fiber, units of 10m |
| 17 | 1 | Length(62.5um) | Link length supported for 62.5/125um fiber, units of 10m |
| 18 | 1 | Length(Copper) | Link length supported for copper, units of meters |
| 19 | 1 | Reserved | |
| 20-35 | 16 | Vendor Name | SFP vendor name |
| 36 | 1 | Reserved | |
| 37-39 | 3 | Vendor OUI | SFP transceiver vendor OUI ID |
| 40-55 | 16 | Vendor PN | Part Number (ASCII) |
| 56-59 | 4 | Vendor rev | Revision level for part number |
| 60-62 | 3 | Reserved | |
| 63 | 1 | CCID | Least significant byte of sum of data in address 0-62 |
| Extended ID Fields | | | |
| 64-65 | 2 | Option | Indicates which optical SFP signals are implemented (001Ah = LOS, TX_FAULT, TX_DISABLE all supported) |
| 66 | 1 | BR, max | Upper bit rate margin, units of % |
| 67 | 1 | BR, min | Lower bit rate margin, units of % |
| 68-83 | 16 | Vendor SN | Serial number (ASCII) |
| 84-91 | 8 | Date code | Manufacturing date code |
| 92-94 | 3 | Reserved | |
| 95 | 1 | CCEX | Check code for the extended ID Fields (addresses 64 to 94) |
| Vendor Specific ID Fields | | | |
| 96-127 | 32 | Readable | Specific date, read only |
| 128-255 | 128 | Reserved | Reserved for SFF-8079 |

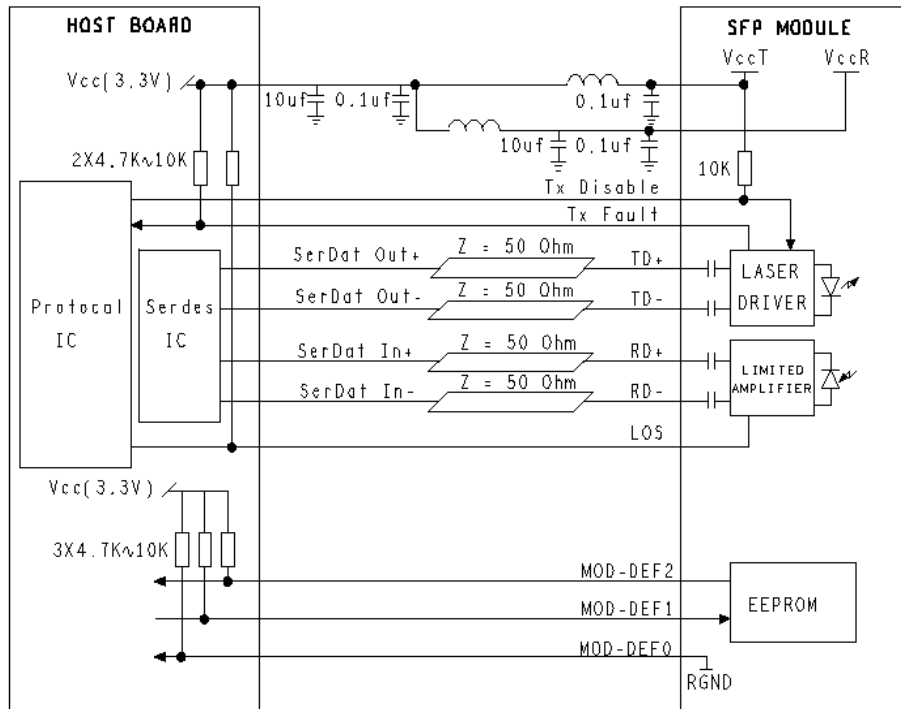
Digital Diagnostic Monitor Characteristics

| Data Address | Parameter | Accuracy | Unit |
|--------------|----------------------------------|----------|------|
| 96-97 | Transceiver Internal Temperature | ±3.0 | °C |
| 98-99 | VCC3 Internal Supply Voltage | ±3.0 | % |
| 100-101 | Laser Bias Current | ±10 | % |
| 102-103 | Tx Output Power | ±3.0 | dBm |
| 104-105 | Rx Input Power | ±3.0 | dBm |

Regulatory Compliance

| | | |
|---|--|-------------------------------|
| Electrostatic Discharge (ESD) to the Electrical Pins | MIL-STD-883E Method 3015.7 | Class 1(>1000 V) |
| Electrostatic Discharge (ESD) to the Single LC Receptacle | IEC 61000-4-2 GR-1089-CORE | Compatible with standards |
| Electromagnetic Interference (EMI) | FCC Part 15 Class B EN55022 Class B (CISPR 22B) VCCI Class B | Compatible with standards |
| Laser Eye Safety | FDA 21CFR 1040.10 and 1040.11 EN60950, EN (IEC) 60825-1,2 | Compatible with Class 1 laser |

Recommended Circuit



Bidi 10 Gbps SFP Transceiver (UBSFPP-40)
1270/1330nm Single mode 40km Single fiber LC

Mechanical Dimensions

