

Fiber Media converter

10/100/1000Mbps

The Series is a kind of intelligent, adaptive and fast Ethernet converter devices. It can implement data transmission between twisted pair electrical signals and optical signals which are the two types of network connection media. This kind of media converter can extend the transmission distance to 40 kilometers (single mode). Using media converter is an economical solution to achieve long distance transmission based on current status.

Features

- * In conformity to IEEE802.3 10base-T, IEEE802.3u 1000 base-TX/FX, IEEE802.3ab 1000 base-T, IEEE802.3z 1000base-CX/SX/LX, IEEE802.1a, IEEE802.1PQ0S, IEEE802.1d Spanning Tree.
- * Auto-negotiation and speed autosensing
- * Supports 2U 19" System Chassis, holds up to 14pcs standalone type media converter or 16pcs card based media converter
- * Hot Pluggable & Wall-Mountable
- * LED display of network and power supply status
- * Stable performance more than 50 thousands hours with fault-free
- * Unique IC solution applied
- * Supports 10/100/1000M full/half duplex and auto-negotiations, easy upgrades
- * Supports VLAN transmission
- * Stable performance more than 50 thousands hours with fault-free
- * In conformity with safety code of FCC, CE and RoHS; Class 1 Laser Safety

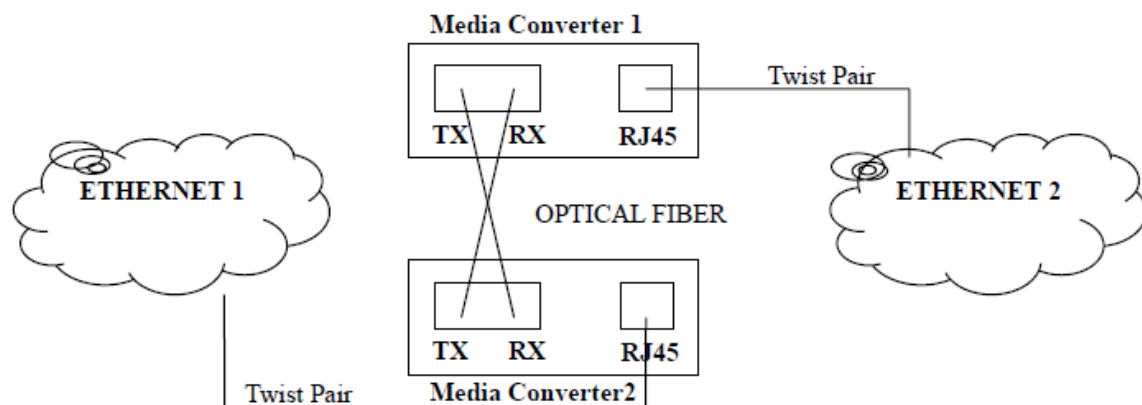
Specification

Rate	Self-adaptive 10/100/1000M
Protocol supported	IEEE802.3/IEEE802.3U etc.
Fiber type	Single fiber
Optic mode	Single mode
Transmission mode	Half / full duplex
Ethernet interface	10/100/1000 Base-TX (RJ45), IEEE802.3 standard
Optic interface (1000BaseFX WAN port)	SC/FC/ST
Optic wavelength (TX/RX)	1310/1550 nm
BER	< 1/1000000000

MTBF	>3 years
MTU	Support MTU up to 9000
Transmit power	-5~3 dBm
Receiving sensitivity (max) measured with PRBS 2 ⁷ -1@10 ⁻¹² BER	-22dBm
Data rate	Up to 1.25Gbps
Power consumption	2.5W
Power supply	Adapter switching, AC220V±10%, 50/60Hz, Voltage Surge Protection
Working temperature	0~50°C
Working humidity	5%-95%
Storage temperature	-40°C~70°C
Storage humidity	5%~95%(no-condensing)
Weight	0.38KG
Dimensions	229x122x50mm for packing, 94x70.6x26.5mm for device

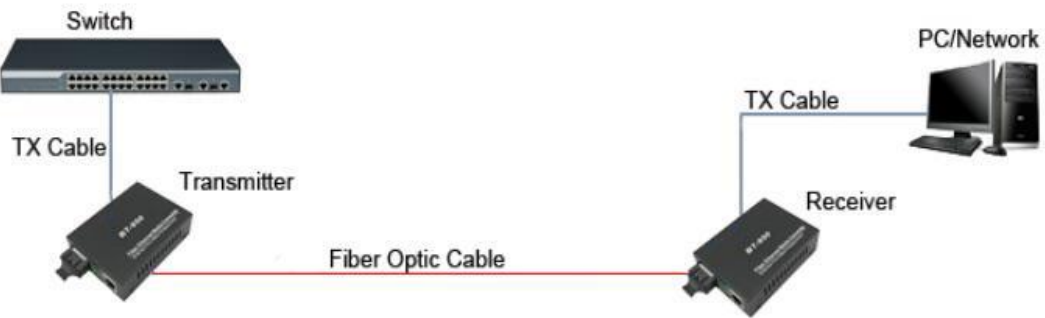
Application

- * Extend your Ethernet connection up to 0~40km away using fiber optics
- * Creates an economical Ethernet-fiber/copper-fiber link for connecting remote sub-networks to larger fiber optic networks/backbones
- * Converts Ethernet to fiber, fiber to copper/Ethernet, ensuring optimum network scalability for connecting two or more Ethernet network nodes (e.g. connecting two buildings on the same campus)
- * Designed to provide high-speed bandwidth for demanding large scale work groups that require expansion of Gigabit Ethernet Network (Works with network devices (Router, SWL2) according to Gigabit Ethernet standard)

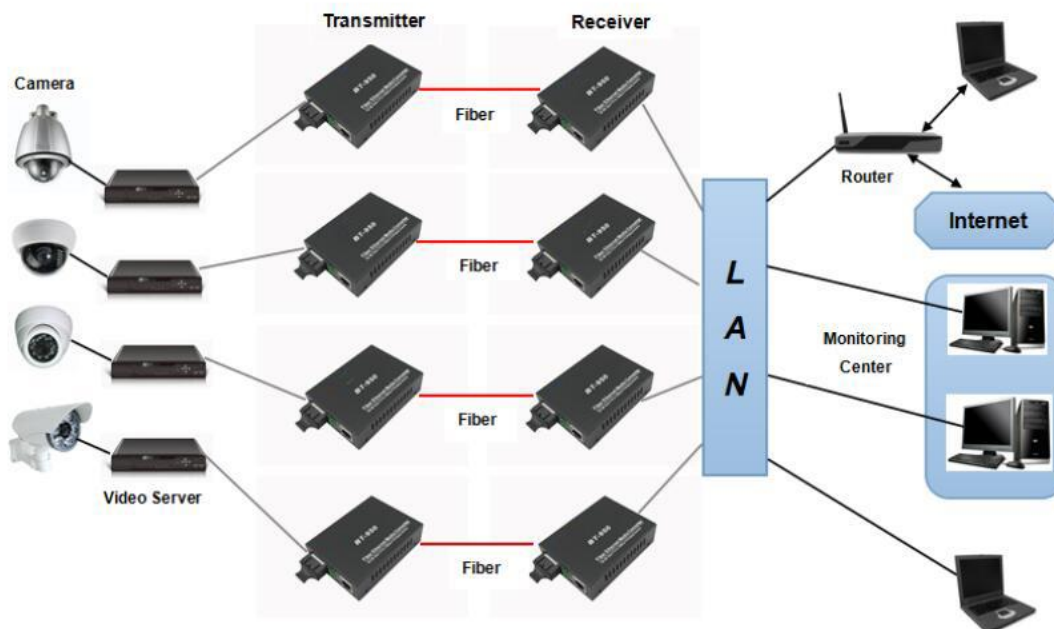


System Design

1. For Networking



2. For CCTV Surveillance Security



Product Pictures



Order Information

Part Number	Wavelength(nm)	Power (dBm)	Transmission distance(KM)	Optical port
UBMC-1000SM-SC	Tx/Rx 1310/1550nm	-5~3	40	SC/UPC