

**Key Features**

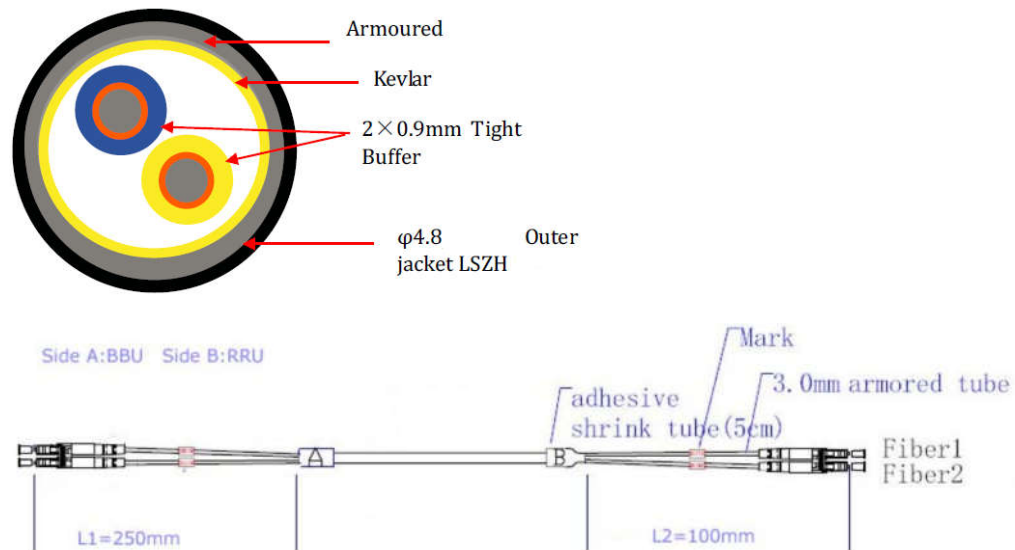
- Ideal for outside cabling application
- Armored steel tape for rodent resistance
- Pressure resistance.
- Fully water-blocked
- Moisture blocking loose tubes.
- Fiber 2 core
- Easy Operation, reliable and cost-effective

This is armored fiber optic patch cord with 2 fibers, which is designed ideal for CPRI cabling system.

**Applications**

- FTTA & FTTH
- Base station, BTS installation, BBU to RRU
- Indoor/outdoor building cabling
- Harsh environments application
- Long haul networking
- Direct burial and aerial lashing

**Structure**



Item	Specifications
Connector A	Duplex LC/UPC or SC/UPC or SC/APC, IEC 61754 standards
Connector B	Duplex LC/UPC or SC/UPC or SC/APC, IEC 61754 standards
Cable length	50m
Fan out connector length Side A	250mm Armored Tube
Fan out connector length Side B	100mm Armored Tube
Fiber amount	2 cores

Fiber waterproof	Protection Level IP67 standard
Fiber type	Single mode 9/125um OS2, 1260 - 1650 nm ITU G.657 A2 / IEC60793-2-50 B6_a2 Coating Diameter 235 - 265 $\mu$ m
Concentricity Error Core	$\leq 0.5 \mu$ m
Concentricity Error Cladding	$\leq 12.0 \mu$ m
Optical Cable Attenuation at 1310nm	0.35dB/km
Optical Cable Attenuation at 1550nm	0.25dB/km
Chromatic Dispersion, 1310 nm	$\leq 3.5$ ps/nm.km
Chromatic Dispersion, 1550 nm	$\leq 18$ ps/nm.km
Polarization Mode Dispersion	$\leq 0.2$ ps/ $\sqrt{\text{km}}$
Zero Dispersion Wavelength $\lambda_0$	1300 - 1324 nm
Zero Dispersion Slope S0 at $\lambda_0$	$\leq 0.092$ ps/nm <sup>2</sup> .km
Wavelength	1310nm/1550nm
Optical Cable Attenuation at 850nm	$\leq 0.35$ dB/km @1310nm/1550nm
IL/Connector	$\leq 0.3$ dB
Return Loss/Connector	$\geq 50$ dB
Bending loss, 1550 nm, R = 7.5 mm, 1 turn	$\leq 0.5$ dB
Bending loss, 1550 nm, R = 10 mm, 1 turn	$\leq 0.1$ dB
Bending loss, 1550 nm, R = 15 mm, 10 turn	$\leq 0.03$ dB
Operation Temperature Range	-40~+ 85 °C , Withstand outdoor working conditions, good UV resistance, Compliance with IEC 60794-1-2 standard
Storage temperature	-40°C ~ +85°C
Tensile strength	$\geq 500$ N
Pulling	RRU-End $\geq 5$ N, 60s BBU-End $\geq 50$ N, 120s (IEC 61300-2-4, 0.5 Meter from Connector)
Compression Force	5 - 7 N (IEC 61300-3-22)
Mechanical life	$\geq 500$ cycles
Bending radius	180mm minimum
Crush Resistance	3000 N/100 mm
Outer sheath	LSZH outer layer, Armored cover, kevlar reinforcement, All-weather and UV-resistant ISO 4892-3
Water Penetration	Pass, IEC 60794-1-2 F5B
Vertical Flame Spread	Pass, IEC 60332-3-24
Cable sheath color	Black
Cable OD	7.0mm

Fan out	2x2.0mm OD, armored tube
Label	The cable body specifies the type, parameters, manufacturer, length, etc
Inflamingretarding	IEC 60332-3
Other requirements	USource offers customized requirements
Ordering information	
<i>CPRISM-SCU-LCU-A50</i>	<i>CPRI cable single mode, SC/UPC-LC/UPC, Armored, 50m</i>
<i>CPRISM-SCA-LCU-A50</i>	<i>CPRI cable single mode, SC/APC-LC/UPC, Armored, 50m</i>