

Key Features

- Ideal for outside cabling application
- Armored steel tape for rodent resistance
- Pressure resistance
- Fully water-blocked
- Moisture blocking loose tubes
- Fiber 2 core
- Easy Operation, reliable and cost-effective

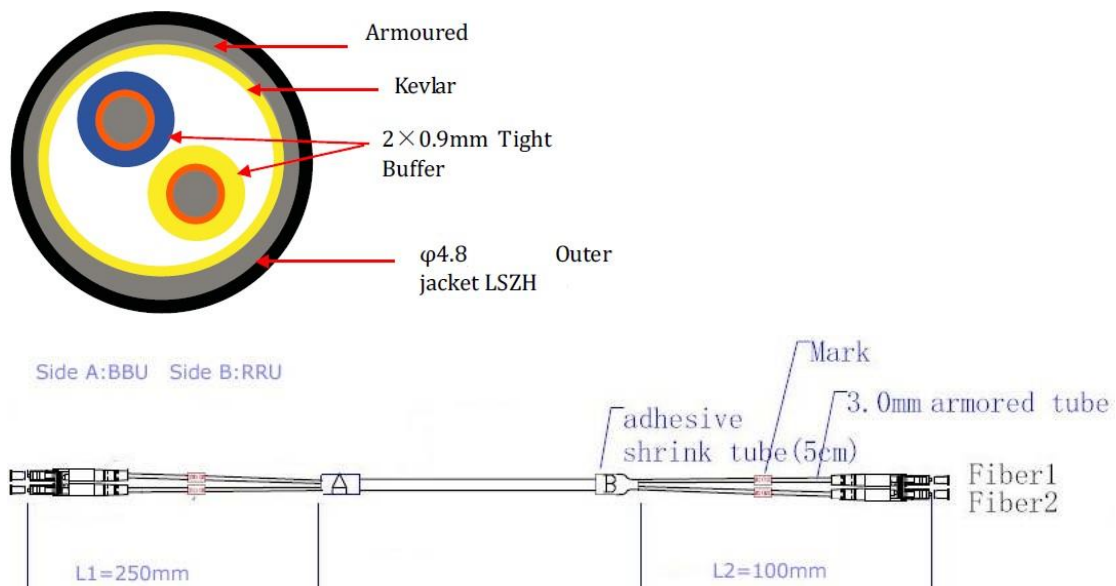
This is armored fiber optic patch cord with 2 fibers, which is designed ideal for CPRI cabling system.




Applications

- FTTA & FTTH
- Base station, BTS installation, BBU to RRU
- Indoor/outdoor building cabling
- Harsh environments application
- Long haul networking
- Direct burial and aerial lashing

Structure



| Item | Specifications |
|---------------------------------|------------------------------------|
| Connector A | Duplex LC/UPC, IEC 61754 standards |
| Connector B | Duplex LC/UPC, IEC 61754 standards |
| Cable length | 60m |
| Fan out connector length Side A | 250mm Armoured Tube |
| Fan out connector length Side B | 100mm Armoured Tube |

| | |
|------------------------------------|--|
| Protective cover for LC connector |  <p>Rubberized elastic spring cover for connector, rubber cover compatible with RRU device of Huawei</p> |
| Fiber amount | 2 cores |
| Fiber waterproof | Protection Level IP67 standard |
| Fiber type | Multi-mode 50/125um standard OM2 complies with ITU G.651 and ISO11801 or higher |
| Wavelength | 850nm or 1310nm |
| Optical Cable Attenuation at 850nm | 2.3dB/km |
| IL/Connector | ≤0.3dB |
| Return Loss/Connector | ≥35dB |
| Operation Temperature Range | -40-70 °C , Withstand outdoor working conditions, good UV resistance, Compliance with IEC 60794-1-2 standard |
| Tensile strength | ≥500N |
| Mechanical life | ≥ 500 cycles |
| Bending radius | 180mm minimum |
| Crush Resistance | 1500 N/100 mm |
| Outer sheath | LSZH outer layer, Armored cover, kevlar reinforcement |
| Cable sheath color | Black |
| Cable OD | 4.8mm +/-0.2mm |
| Fan out | 3.0mm armored tube |
| Label | The cable body specifies the type, parameters, manufacturer, length, etc |
| Inflamingretarding | IEC 60332-3 |
| Other requirements | USource offers customized requirements |

Shenzhen USource Technology Co.,Ltd

www.usourcetek.com

Copyright© USource Technology. All rights reserved.