

2 Channel Optical Add/Drop Multiplexer

Key Features:

- Low insertion loss
- High channel isolation
- High stability and reliability

Applications:

- WDM/DWDM system
- Add/Drop system
- CATV system

Optical Specifications:

Parameter	2CH (1A/1D)OADM	
Channel Wavelength(nm)	1270/1290...1590/1610	
Channel Spacing (nm)	20	
Channel Passband (@-0.5dB bandwidth)(nm)	±6.5	
Insertion Loss (dB)	Add/Drop Ch.	< 1.0
	Express Ch.	< 0.8
Add/Drop Channel Ripple (dB)	< 0.3	
Isolation (dB)	Add/Drop Ch.	>30
	Express Ch.	>15
Insertion Loss Temperature Sensitivity (dB/°C)	< 0.005	
Wavelength Temperature Shifting (nm/ °C)	< 0.002	
Polarization Dependent Loss (dB)	< 0.10	
Polarization Mode Dispersion (ps)	< 0.1	
Directivity (dB)	>50	
Return Loss (dB)	>45	
Power Handling (mW)	300	

Operating Temperature	°C	-5~+65
Storage Temperature	°C	-40~+85
Operating Humidity	%RH	≤93
Storage Humidity	%RH	≤93

Packaging Specifications:

Package Size (mm)	100×80×10
Package Material	ABS
Fiber Type	SMF-28e
Pigtail Type	0.9mm/2.0mm/3.0mm Loose Tube
Pigtail Length	Customize
Connector Type	Customize



Channel Spacing	Channel Number	Configuration	Add	Drop	Fiber Type	Fiber Length	Connector
C=CWDM	2=2ch	11=1	Add 1	Drop 31...	L=900um	10=1m	00=None
Grid	4=4ch	22=2	Add 2	Drop (31, 37)..	Loose	12=1.2m	FA=FC/APC
	8=8ch	33=3	Add 3	Drop (31,37,39)	tube	15=1.5m	FU=FC/PC
		44=4	Add 4	Drop (31,37,39,41)		20=2.0m	SA=SC/APC
			S=2.0mm		SU=SC/PC
			loose		ST=ST/PC
			tube		LU=LC/PC
					
					R=3.0mm		

Note: 31=1310nm,37=1370nm,39=1390nm...47=1470nm, 55=1550nm

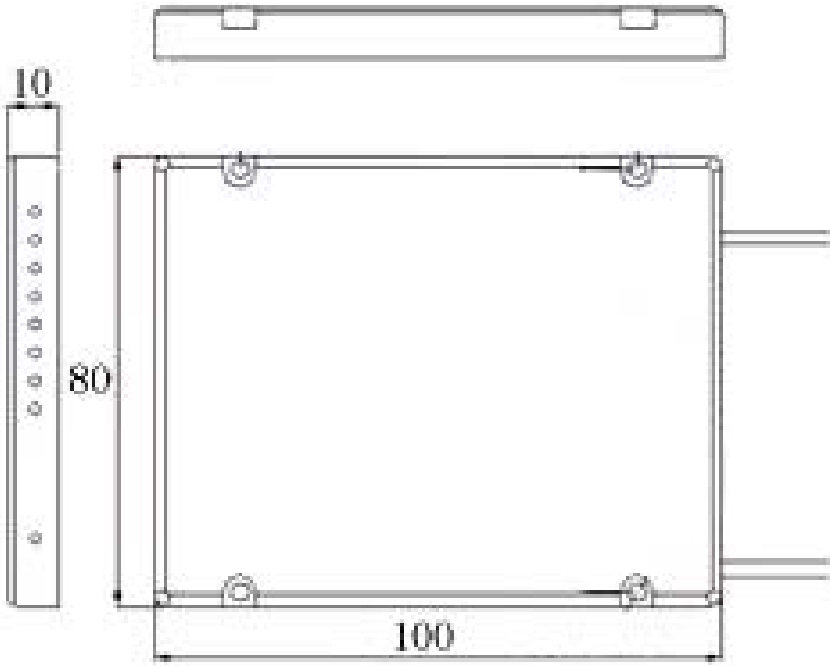


Photo:

