

Key Features

- Ideal for outside cabling application
- Armored steel tape for rodent resistance
- Pressure resistance
- Fully water-blocked
- Moisture blocking loose tubes
- Fiber 2 core
- Easy Operation, reliable and cost-effective

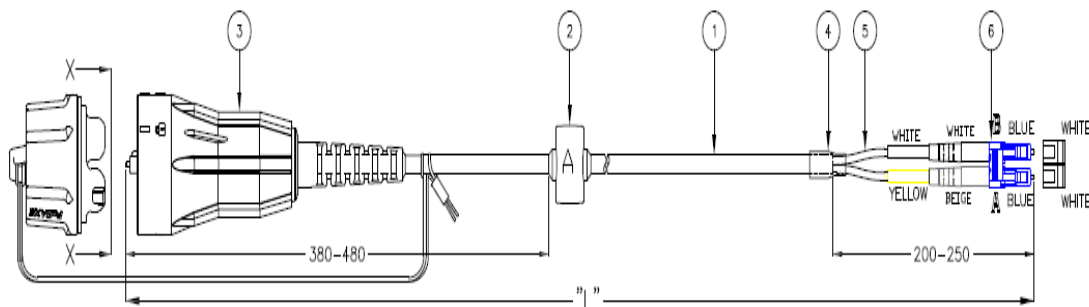
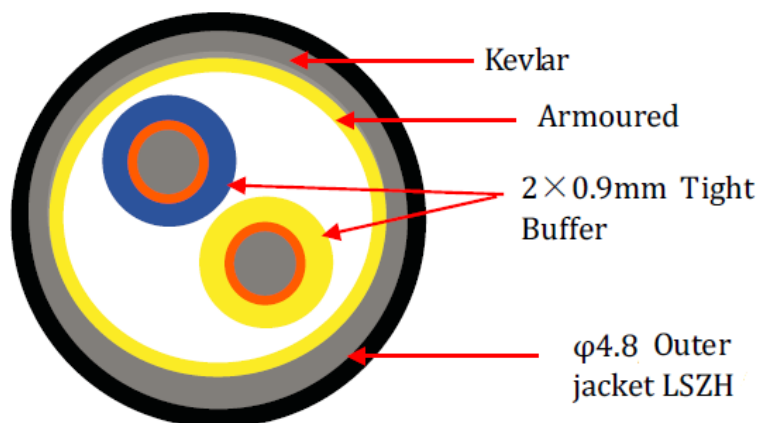
This is armored fiber optic patch cord with 2 fibers, which is designed ideal for CPRI cabling system.



Applications

- FTTA & FTTH
- Base station, BTS installation, BBU to RRU
- Indoor/outdoor building cabling
- Harsh environments application
- Long haul networking
- Direct burial and aerial lashing

Structure



Item	Specifications
Connector A	Fullaxs IP67 for Ericsson RRU, duplex LC/UPC
Connector B	Duplex SC/UPC, IEC 61754 standards
Cable length	20m

Fan out connector length Side B	100mm or 250mm Armoured Tube
Fiber amount	2 cores
Fiber waterproof	Protection Level IP67 standard
Fiber type	Singlemode 9/125 μm Single Mode, Standard OS2 compatible ITU G.652D or higher
Wavelength	1310nm/1550nm
Optical Cable Attenuation at 850nm	$\leq 0.35\text{dB/km @}1310\text{nm}/1550\text{nm}$
IL/Connector	$\leq 0.3\text{dB}$
Return Loss/Connector	$\geq 50\text{dB}$
Operation Temperature Range	-40-70 $^{\circ}\text{C}$, Withstand outdoor working conditions, good UV resistance, Compliance with IEC 60794-1-2 standard
Tensile strength	$\geq 500\text{N}$
Mechanical life	≥ 500 cycles
Bending radius	180mm minimum
Crush Resistance	1500 N/100 mm
Outer sheath	LSZH outer layer, Armored cover, kevlar reinforcement
Cable sheath color	Black
Cable OD	4.8mm +/-0.2mm
Fan out	3.0mm armored tube
Label	The cable body specifies the type, parameters, manufacturer, length, etc
Inflamingretarding	IEC 60332-3
Other requirements	USource offers customized requirements